

High Performance Power Boat & Fibreglass / Composite Construction
Installation with Conventional Shaft Commercial / Fishing & Charter

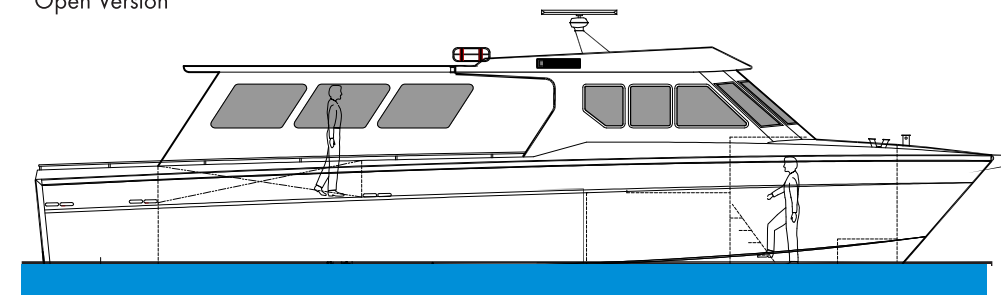
SPECIFICATIONS & PRICE FOR BASE BOAT

WORKBOAT COMMERCIAL

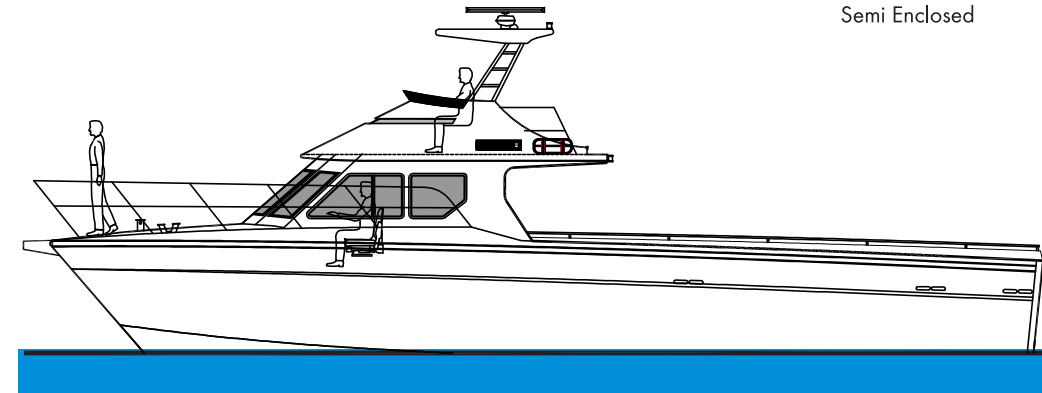
Pot & Trap fishing / Drop line & netting / Fish-Farming Utility



Open Version



Semi Enclosed



Flybridge

SPECIFICATIONS

Length Overall:	15.50m	Recommended H.P:	Single 750 H.P
Moulded Beam:	4.80m	Sleeping Capacity:	4
Draught:	1.5m		
Fuel Capacity:	2 x 1500lt	Constructed to Australian Standards & Survey requirements:	USL code 3B Fishing
Water Capacity:	500lt	Naval Architect:	Gavin Mair Marine Design
Displacement:	from 14 tonnes	Ph (08) 9437 1319	www.marinekits.com

SKEG ARRANGEMENT for Single installation

- A full length keel constructed from solid fibreglass, built up by continual overlaps of the hull laminates to meet the required survey thickness. All solid fibreglass support to the rudder pintle bearing.
- A fibreglass stern tube housing is incorporated.

RUDDER

- Supply stainless steel rudder stock with welded gussets to take fibreglass blades which are manufactured from moulds and solid filled.
- Supply FRP rudder trunk housing with alloy steel sleeve and fitted tufnol bearing to suit 70mm stock.
- Set and align rudder in position bond and laminate rudder trunk and reinforce with knees.

FUEL TANKS

- Supply, fit and secure, solid fibreglass construction and is strictly to survey requirements. (No fittings or plumbing)

ENGINEERING

- Supply and fit.
- FRP stern tube housing with alloy steel sleeves and fitted bearings to suit 89mm propeller shaft.
- Inboard shaft seal. No shafting & propeller included.
- Fabricated stainless steel rudder shoe and bottom bearing.
- Rudder carrier bearing.

Stage 1 Base Boat including

Marine Architects Royalties
Design drawings and submission to the Department of Transport
Survey fees to the department
Construction Insurance
Alterations and additions at standard factory hourly rate + materials

In a constant endeavour to improve our product, we reserve the right to make change, alter and modify any equipment, materials, specifications and price.

PRICE

Stage 1 base price offering - Excludes GST - as quoted ex-works Factory.

\$ 205 000.00	Open Version
\$ 230 000.00	Semi Enclosed
\$ 220 000.00	Flybridge

Warranty

Each boat will carry a minimum 12 month limited warranty covering workmanship, materials and up to 2 year structural hull warranty.

- Each boat can be customized to your specific requirements.
- Designed and built for the commercial Fishing Industry and Charter Operators.
- The proven design of the new Oceanblaster is the latest 51' purpose designed and built production boat in Australia for the serious commercial environment.

FIBREGLASS STRUCTURAL COMPONENTS

GENERAL

- White moulded Hull & Superstructure.
- High density foam core sandwich construction & solid laminates including:
HULL, WORKING DECK, WHEELHOUSE, FOREDECK & SIDE COAMINGS
- All structural components including hull frames and longitudinal reinforcing, engine bearers, deck beams, deck longitudinals, all fully bonded & laminated in place.
- Full length keel (single engine installation).
- Survey USL code class 3B fishing.
- 5 transverse Bulkheads.

A tough structural and osmosis resistant Vinyl-ester barrier laminate is backed by a 2 year structural warranty.

WORKING DECK (Cargo deck)

- Self draining fitted scuppers (freeing ports).
- Carborundum slip resistant surface fibreglass decorative finish.
- Air vents supply and fit, port & starboard, fibreglass hull side panels fitted.
- Engine room bilge
- Aft deck bilge.
- Forward deck bilge.
- Flush deck catch tank, capacity six bins.
- Hatches from moulded fibreglass, flowcoat & speckle finish, fit and supply loose (No hardware).
- Main engine flush hatch.
- Engine room access – raised hatch (300mm).
- Aft deck bilge access – flush hatch.
- Forward deck bilge access – raised hatch (300mm).
- Wheelhouse bilge & Forward bilge – flush hatch .

WHEELHOUSE

(with sun visor and aft deck roof awning)

- Main cabin floor (sole) with moulded access hatch opening to bilge area.
- Access doors
 - Wheelhouse.
 - Toilet cubicle.

FORWARD CABIN

- Cabin floor (sole) with moulded access hatch opening to bilge area.
- Collision bulkhead arrangement (watertight void).

ANCHOR LOCKER

- Large flush hatches – supply loose.
- Breastplate floor with divider panel.
- Flowcoat & speckle finish.

FIBREGLASS INTERNAL FITOUT

- Supply and fit fibreglass moulded furniture and laminate in place. For a light-weight durable and low maintenance interior.
- Furniture finished with epoxy undercoat and semi-gloss polyurethane. (Note no cut-outs or timber joinery work)

WHEELHOUSE

- Main dash console bulkhead
- Dinette arrangement.
- Gallery layout
- Toilet / Shower cubicle
- FRP water tank construction with baffles and outlet pipe fitted with top panel inspection ports cutouts coated with approved water tank lining.
- Steps.

FORWARD CABIN

- Vee-berth arrangement with moulded hatch openings (under storage access).
- Upper bunk panels in place.
- Forward overhead storage locker

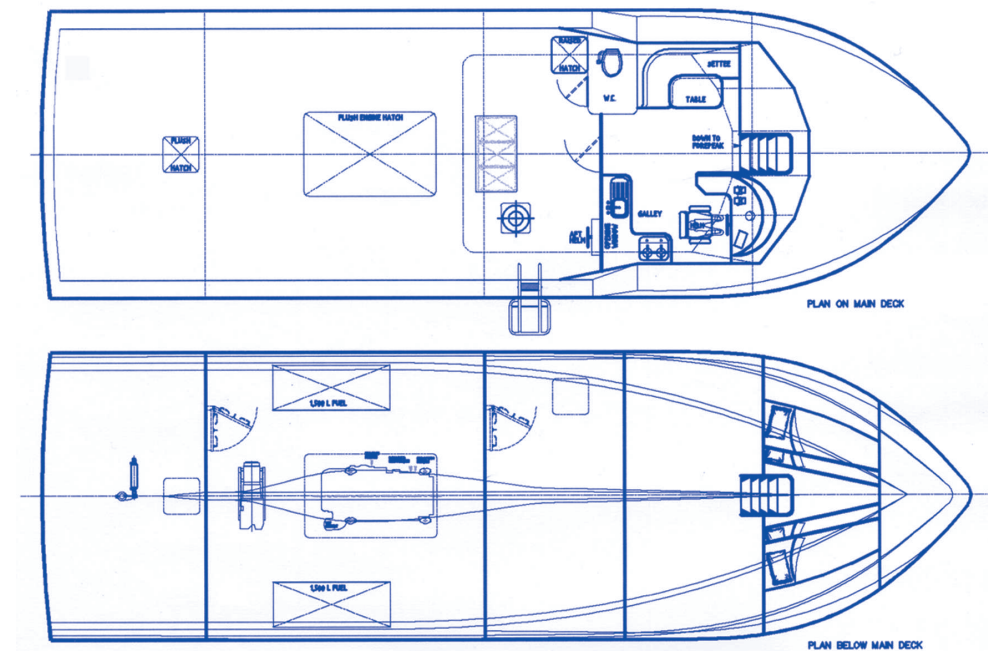
ENGINE ROOM

- Flat panel flooring (false floor).
- FRP Battery boxes fitted for main engine.

FORWARD DECK BILGE

- Rope & Float storage area.
- Flat panel flooring fitted with moulded inspection hatch openings & lids.

COMMERCIAL DECK LAYOUTS



WHEELHOUSE BILGE

- Flat panel flooring fitted with moulded inspection hatch openings & lids.
- Storage locker on stbd side & Work bench on pt side.

ALL BILGE AREAS

- Limber holes positioned to allow water flow for collection.
- All bilge areas throughout vessel to be prepared and decorative finished and flowcoat. OR where required a top coat of durable polyurethane for extra protection.

BOAT COMPONENTS

- Heavy duty aluminium gunwale.
- Slip resistant deck surfaces.
- Window arrangement fixed in place, Toughened glass.
 - Wheelhouse
 - Front - 5 panels (direct-glazing method)
 - Sides - Black anodized aluminium frames with tinted glass
 - Starboard side with opening slider
 - Port side fixed
 - Aft bulkhead window with opening slider