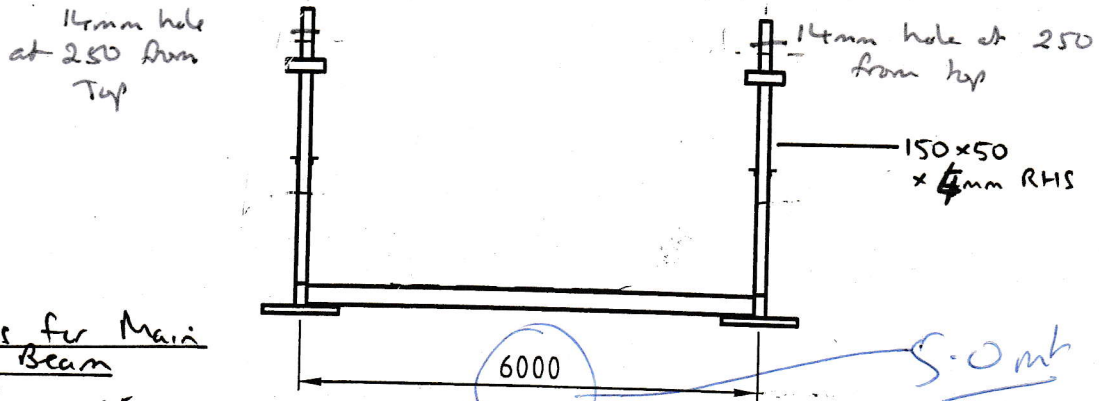
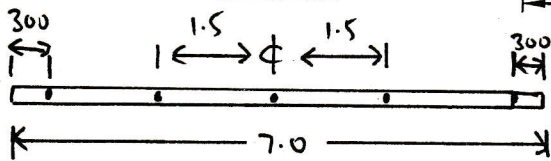


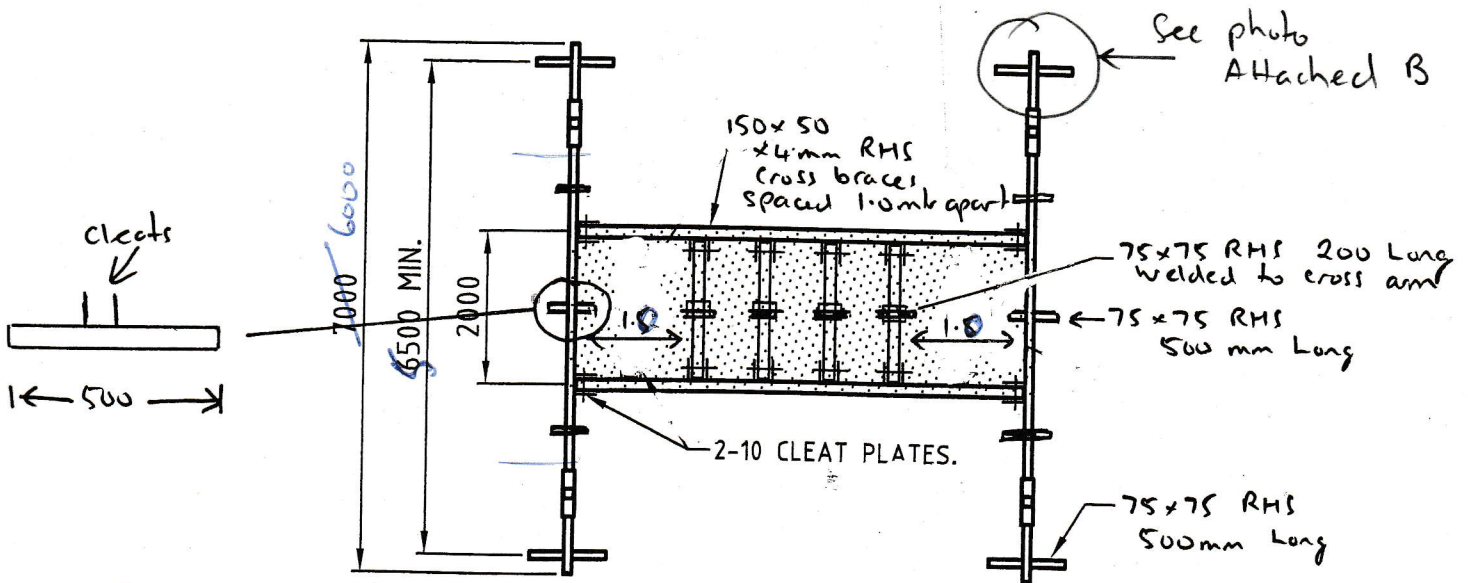
FRONT ELEVATION
SCALE 1:100



Hole Positions for Main Cross Beam



SIDE ELEVATION SCALE 1:100



PLAN
SCALE 1:100

Back 40