



LEOPARD | 43  
POWERCAT

## LEOPARD POWERCAT | 43

The progressive Leopard 43 Powercat highlights all of the advanced features that have come to be associated with the Leopard line. Built by Robertson and Caine and exterior design by Simonis Voogd Design, this member of the power fleet is a completely redesigned mid-sized catamaran built with a quality foundation. Her new hull design amplifies her speed and agility. From the large fly bridge, maneuvering this powercatamaran is not only simple, it's enjoyable.

A dynamic power catamaran







The Leopard 43 PC is the logical extension of the very successful Leopard 51 PC. This contemporary catamaran boasts economy, is easy to handle, and spacious with 27% more interior volume than her predecessor.

Her interior is in-line with an all new generation of Leopard Catamarans, With increased indoor and outdoor living space, she promotes a convivial atmosphere. The functional design makes her exceedingly user-friendly.

# 43



You can customize your Leopard 43 PC with a choice of interior and exterior coloring as well as an extensive list of options and equipment from industry-leading suppliers to suit your needs underway, crossing oceans, on the dock or at anchor.

# CRAFTSMANSHIP

---

## Attentive experiential design

The new exterior of the Leopard 43 Powercat is superior to many other power models for various reasons. The stepped hull design of this powercat adds interior volume above the waterline, allowing for roomier accommodations in the hulls without sacrificing the performance of the yacht.

With narrower hulls and less wetted surface below the waterline, the Leopard 43 PC reaches an impressive maximum speed of 23+ knots (27 MPH) and maintains exceptional fuel efficiency consistent with all Leopard power catamaran models.

Navigation around the Leopard 43 PC is seamless and easy. Her large flybridge offers 360 degrees of unobstructed views, making navigation safe. The entire flybridge can also be totally enclosed in case of foul weather.





# INTERIOR

A new standard for  
comfort

One of the most exciting and innovative interiors yet on a Leopard catamaran, the Leopard 43 Powercat includes the design of the new generation of Leopard Catamarans. In this new layout, the galley is located forward and the forward-facing settee and table are now located aft. This allows for a panoramic view with large sliding glass doors between the saloon and the aft cockpit.



The starboard hull is entirely dedicated to the luxurious owner's suite with a spacious master cabin aft, a vanity table/desk, multiple extra storage spaces, and a sliding entry door to maximize space. A private head with large separate shower compartment stands in the forward section of the hull.

The light blonde interior design shows well in the owner and guest cabins alike, adding to the feeling of ample space.





# COMFORT

## A reinvented saloon and galley

One of the most exciting and innovative interiors yet on a Leopard catamaran, the Leopard 43 Powercat includes the design of the new generation of Leopard Catamarans. In this new layout, the galley is located forward and the forward-facing settee and the table are now located aft. This allows for a panoramic view with large sliding glass doors between the saloon and the aft cockpit.

This arrangement promotes easy communication for guests, an open flow between the saloon and the aft cockpit, and a fusion of indoor and outdoor living space. In addition, the galley area includes a large forward-facing window and an access door to the forward platform of the boat.

The access door enhances the open concept feel and easy navigation in an around the yacht, while also promoting ventilation throughout the interior.





# INNOVATION

---

## The Leopard Leap

The Leopard 43 Powercat represents the major advancements that Leopard Catamarans are making. This yacht performs at the highest level and its design is unmatched. Enjoy sunrises and sunsets on

the flybridge or in the aft cockpit. Soak up sunshine on the sunbathing platform. The amazing experiences the Leopard 43 Powercat can offer are amplified by her construction, design, aesthetics, advancements and capabilities.



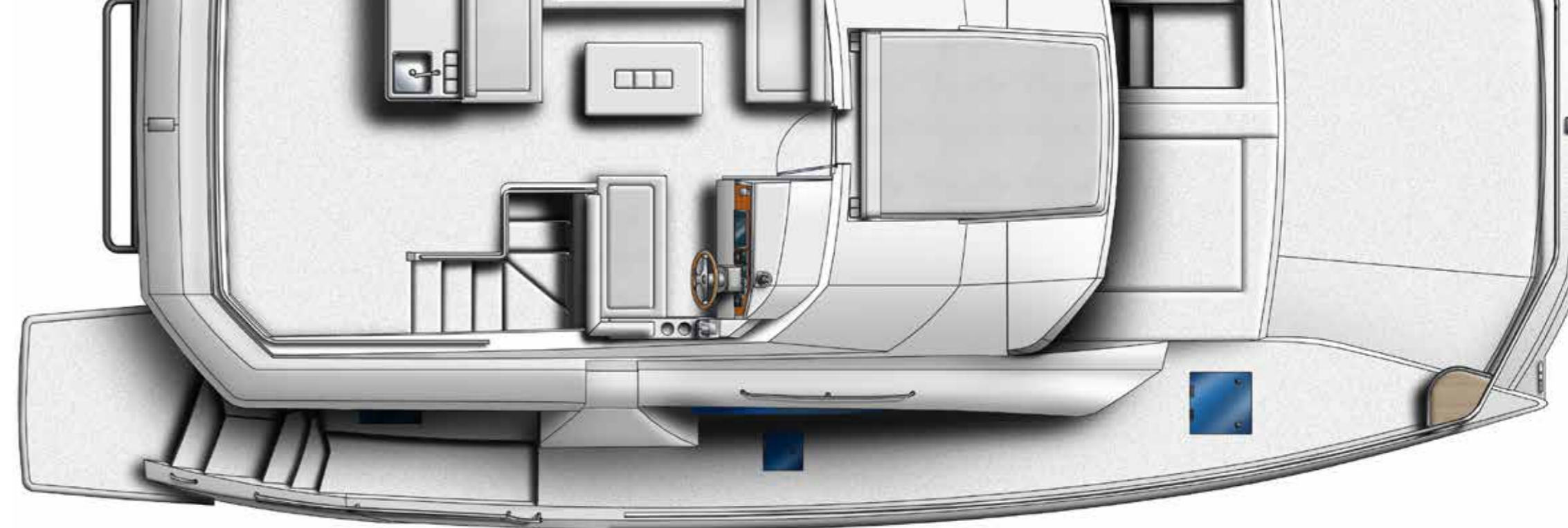
# SPECIFICATIONS





## The Leopard 43 PC Configurations


The Leopard 43 Powercat is available in either a 3 cabin, 2 head version, or a 4 cabin, 2 head version.


All layouts offer the option of additional storage, berth, or head in the forward hull.



  
**WATER CAPACITY**  
 206 US gal  
 780 L

  
**FUEL CAPACITY**  
 264 US gal  
 1000 L

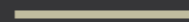
  
**DISPLACEMENT**  
 30,700 lbs  
 13,891 kg

  
**ENGINES**  
 2 x Diesel  
 320 hp

<b>LENGTH OVERALL</b> 42 ft 8in	<b>BEAM</b> 22 ft 1 in	<b>DRAFT</b> 3 ft 1 in	<b>LENGTH WATERLINE</b> 40 ft 10 in
------------------------------------	---------------------------	---------------------------	----------------------------------------



GLOBAL  
SUPPORT NETWORK



LEOPARD  
CATAMARANS

[www.leopardcatamarans.com](http://www.leopardcatamarans.com)

The builder reserves the right to change or amend the contents of the document at any time without prior notification to any third party, and no liability will be accepted for errors contained within the same. Brochure and photography may include optional equipment.

POWER  
**LEOPARD**  
43PC | 51PC

[www.leopardcatamarans.com](http://www.leopardcatamarans.com)