

Runaway Bay Pontoon Boats

Made by Highgate Engineers a division of Holmwood Highgate (Aust)
Confidential - Page 2 of 7

SPECIFICATION

LOGS – TRI HULL:

3 x 660mm 26" (approx.) diameter x 2.5mm marine grade aluminium fitted with extruded top mountings for floor frame.

Each log has sealed chambers to assist buoyancy in case of accidental piercing of the log.

Chine bar is stitch welded to the lower side of each log.

Anode mountings are fitted to the stern of each log below the waterline.

FUEL TANK – Tri-hull:

180LTR inbuilt to centre log at stern. Shear plates made from aluminium tread plate are fitted to each side of this pod to spread the loads in the event of your boat running onto sandbanks. Fuel gauge and fittings are in accordance to outboard suppliers recommendations.

DECK:

19mm marine grade plywood, sealed and bolted to supports with large headed stainless steel bolts & nylon nuts.

80mm x 40mm x 4mm structural marine grade aluminium channel for the support plywood floor

Sikka flex is applied between the flooring and channel supports.

Deck perimeter is a heavy duty 6000 series powder coated aluminium extruded channel.

Floor covering is marine grade Woven vinyl flooring Light Luna colour. Glued as per manufacturers recommendations.

Bumpers to be Silver Powder Coated finish.

WALLS:

0.9mm marine grade aluminium sheet is fitted within the extruded anodised aluminium framework.

Sheet is vinyl wrapped with white interior, the exterior colour is Dark Blue Metallic with Silver Metallic splash.

Doors, lift-up type resting on a 'U' cradle when closed. Number of doors depend on final boat layout.

Note: Outer bar work as per plans Stradbroke, Is series bar work, or Snapper Is bar work included in price as a mid-range, see bar work drawing. Other bar work options may vary up or down in price. Still TBD

SEATING:

Portside bow lounge

Premier series radius bench seat **with 50" straight section**

Premier series lounge arm with lift up backrest.

Starboard bow lounge

Premier series radius bench seat, **with 50" straight section**

Premier series lounge arm with lift up backrest

Helm or Captains seat

Premier series seat with back rest and sliding swivel pedestal

Aft L shape lounge

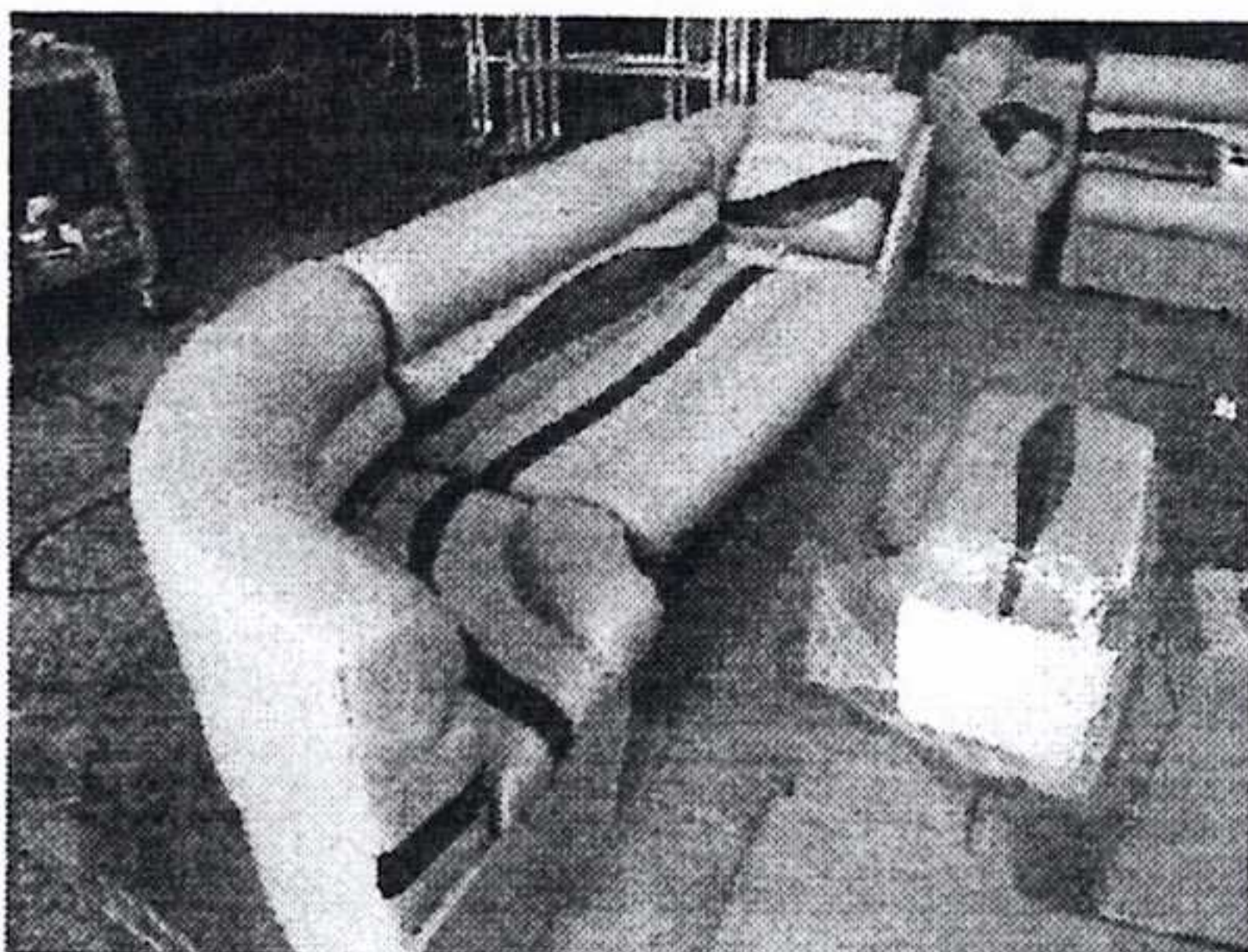
Premier series modified L shape corner bench

Igloo Esky cooler

Premier series coloured top on esky base.

Lounge colours

Mocha Java – Midnight – Rock salt



Runaway Bay Pontoon Boats

Made by Highgate Engineers a division of Holmwood Highgate (Aust)
Confidential - Page 3 of 7

CONSOLE:

Fibreglass type with carbon fibre look dash, fitted with 2 DC outlets, deluxe rocker style panel switches and side door for access to the batteries, isolation switch and wiring loom. Egg shell cream colour chosen.
2 x cup holders.

SOUND SYSTEM:

Fusion Marine RA70, blue tooth, with 4 x 6" FR602 marine grade speakers & USB socket.

ELECTRICAL:

Wiring comprises 16 amp twin core twin sheathed tinned multi-strand wire, 170 amp Red & Black single core battery cables and 51 amp single core tinned wire.

3 position VSR switch.

Port & starboard navigation lights

2 Docking lights.

1 Anchor light

1 x 12V power socket at rear.

Interior courtesy lights are fitted at the base of the lounges & at the console. Blue

Mood lights, blue are fitted in bimini frame, 3 x front, 3 x rear.

Lowrance Hook 2, with 7" screen, Tracker, depth sounder GPS combo.

HORN:

1 off.

ANCHOR:

Aluminium anchor box fitted at bow on starboard side with hinged hatch & galvanised anchor fitted with chain and rope

FIRE EXTINGUISHER:

1 kg marine approved type.

BIMINI:

Black Ultra Sunbrella.

Socks are supplied to fit over the Biminis when folded back for transit. Two piece top.

Zipper all round top for future clears to be fitted.

CUP HOLDERS:

2 off in console.

3 off portable type each with 2 cup holders

Additional cup holders can be fitted if required at an additional cost.

DOCKING CLEATS:

4 (1 on each corner)

2 (1 x each side mid-ships)

LADDER - FRONT:

1 Sliding type under the bow.

Runaway Bay Pontoon Boats

Made by Highgate Engineers a division of Holmwood Highgate (Aust)
Confidential - Page 4 of 7

OUTBOARD:

Mercury 200hp V6 ,4 stroke motor, S/S prop, hyd steering and horn, gauges, batteries x 2, control cables, top mounted binical controller, battery cables to be supplied and fitting and wiring up is by an authorized outboard agent.

DOCKING:

3 x inflatable fenders supplied and 2 x docking ropes.
6 x life jackets supplied

TABLE:

Kidney shape table x 1, with bayonet floor bases up front and rear position.

SINK:

Sink with marble look top, 12V tap, 40ltr fresh water tank, 12V pump, 10ltr waste tanks.
Wash down shower hose, removable coil style with hose nozzle. Egg shell cream colour chosen.

SERVING BENCH:

Black serving bench at rear, fitted alongside sink, with change curtain fitted below.
Supplied and fitted cassette style flushing toilet below, as per new drawing.

ADDITIONAL BENCH:

Black bench top, with storage room below, IE to stow "New Esky" fitted behind rear portside lounge as per drawing.
(Non - lift up) with door fitted.

REGISTRATION:

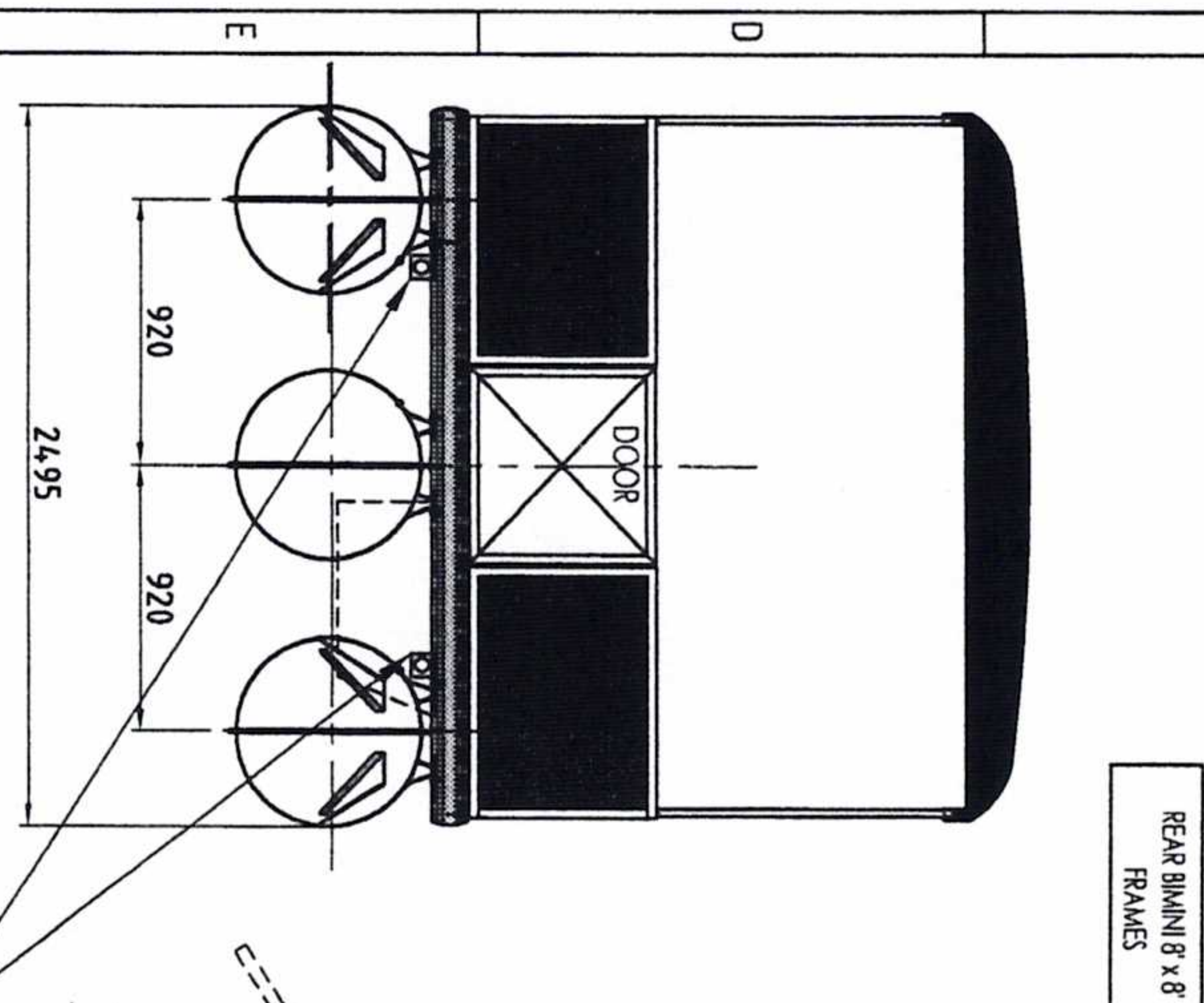
Boat QLD rego.

ANTI-FOULING:

Anti-fouling done by authorized agent.

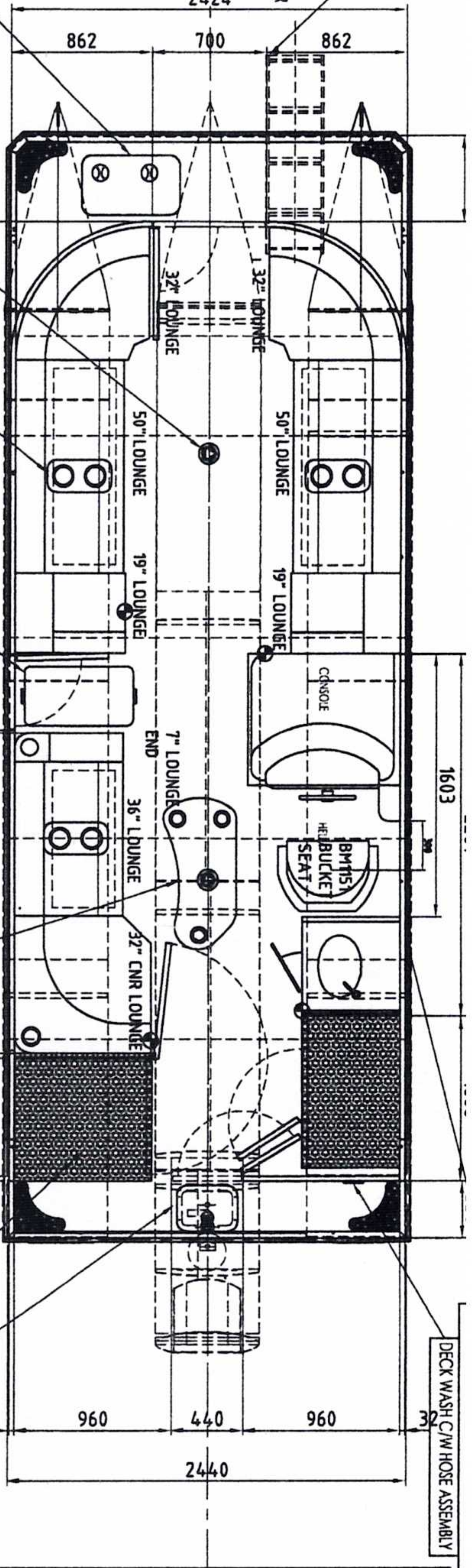
- SECONDARY WALL COLOUR: SILVER METALLIC
- BUMPER COLOUR: SILVER
- PIN STRIPPING: NIL
- FLOOR COVERING: MARINE VINYL
- FLOORING COLOUR: TAMINERY
- LOUNGES: PREMIER SERIES MOCHA JAWA / MIDNIGHT / ROCK ALT ALUMINIUM
- CONSOLE: EGGSHELL
- FIBREGLASS CONSOLE C/W CARBON FIBRE LOOK DASH STEERING WHEEL, ROCKER SWITCH CONTROL PANEL (BLUE BACK LIGHTS), USB OUTLETS, TWO BATTERIES, ISOLATION SWITCH AND WIRING LOOM, MOTOR CONTROL BINNACLE AND SMART CRAFT DIGITAL GAUGES
- HYDRINE HYDRAULIC STEERING
- 2 OFF BLUE LED CUP HOLDER
- 12 V SOCKET X 1 OFF
- SOUNDER / GPS: LOWRANCE HOOK 7
- STEREO: FUSION MARINE RAVO C/W 6" WHITE MARINE SPEAKERS
- LIGHTING: BLUE LED LIGHTS IN BIMINI FRAMES
- BLUE LED LIGHTS IN LOUNGE SEATS
- LOG STRIP LED LIGHTS: N/A

- PREP BENCH SINK: FIBREGLASS SINK EGG SHELL AND PREP BENCH LIFT UP, 12 V X 20AMP SOCKET X 1 OFF IN STORAGE AREA, 12 VOLT WATER PUMP
- 40 LITRE WATER TANK, 10 LITRE WASTE BOTTLE.
- DECK WASH: INSTALLED STARBOARD AFT WALL

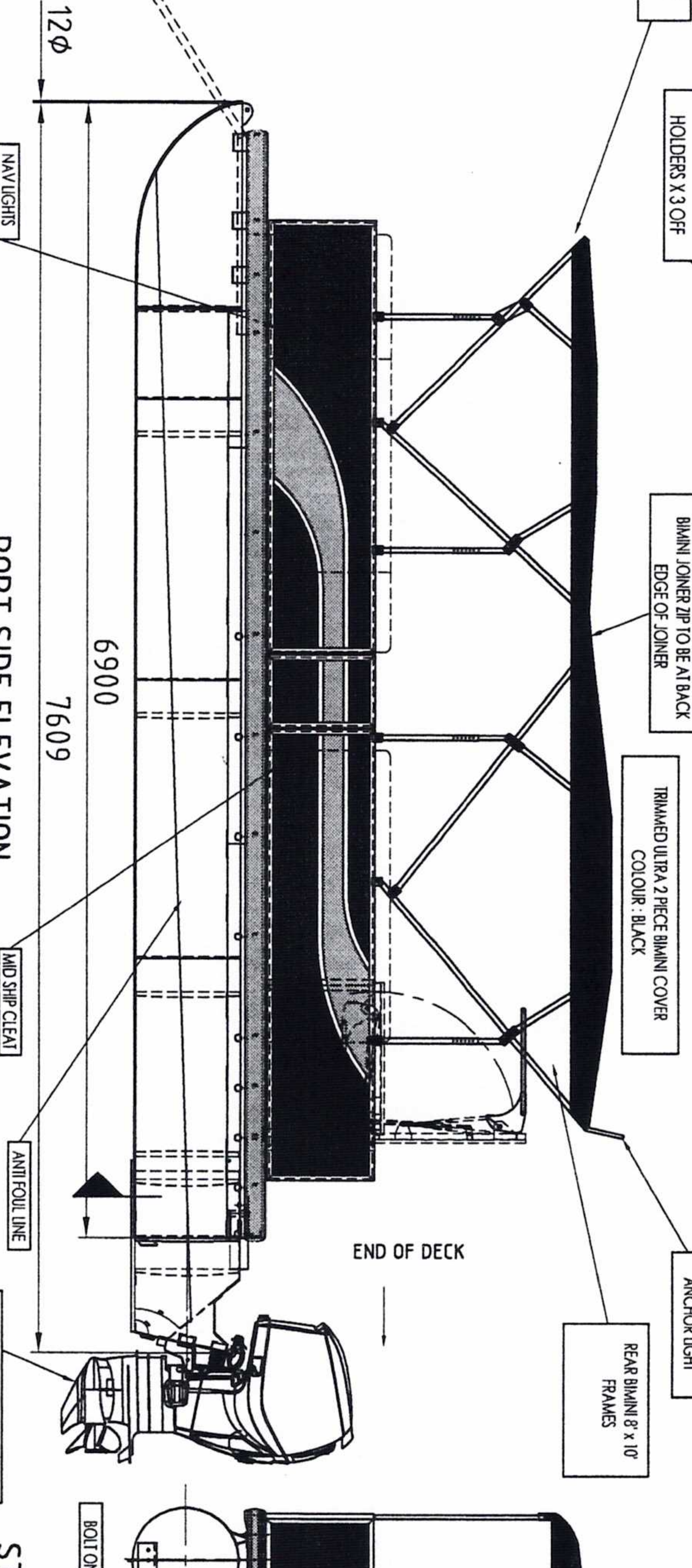


BOW ELEVATION
SCALE: N/A

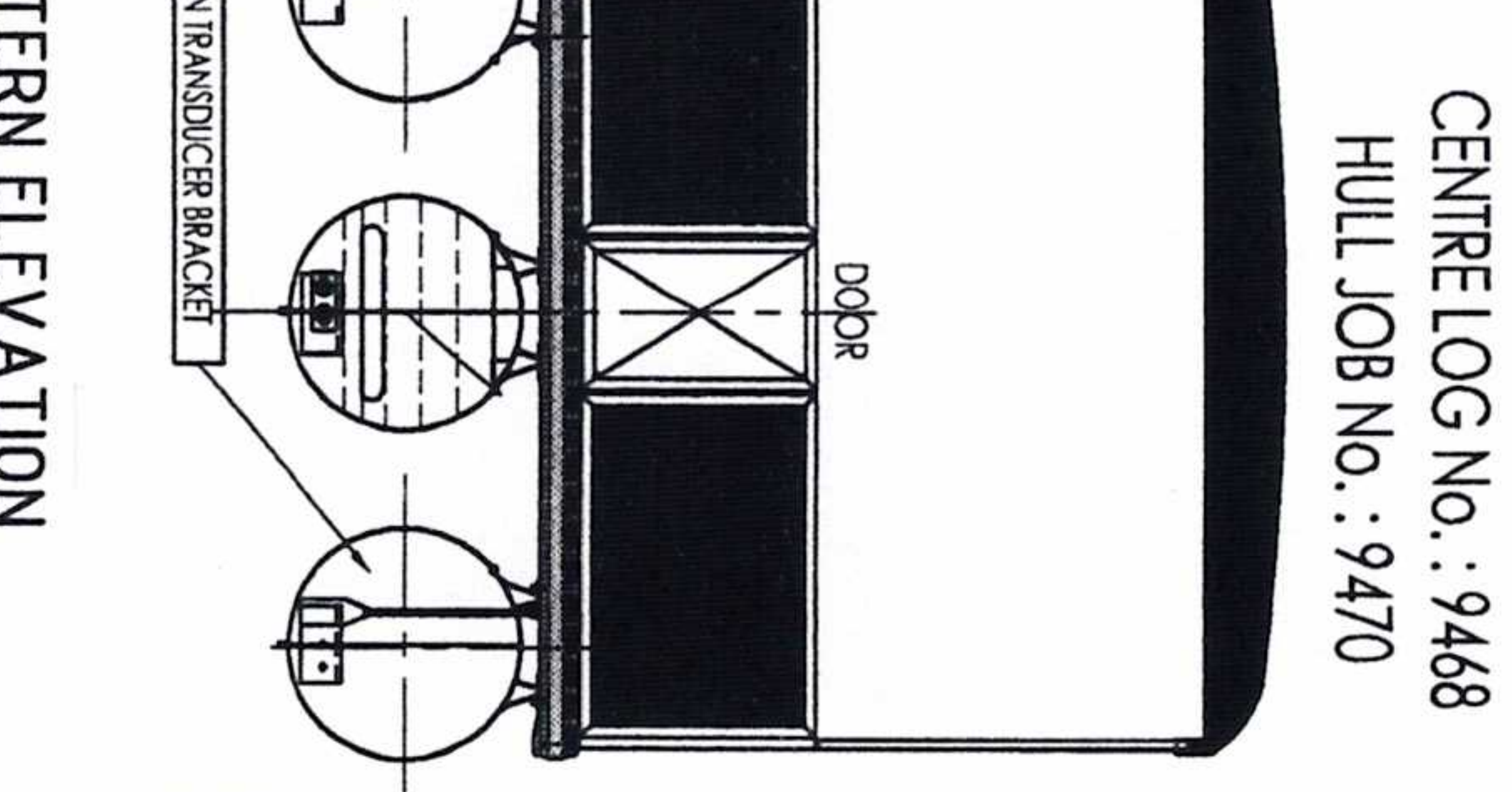
PREMIER SERIES FURNITURE



DECK DETAIL
SCALE: FULL SIZE



PORT SIDE ELEVATION
SCALE: N/A



STERN ELEVATION
SCALE: N/A

- STARBOARD FRONT
- 1 OFF BM11002 32" RAD BOW BNCH
- 1 OFF BM1145 50" STRAIGHT LOUNGE
- 1 OFF BM13006 19" LEFT HANS RECLINER
- PORTSIDE FRONT
- 1 OFF BM11002 32" RAD BOW BNCH
- 1 OFF BM1145 50" STRAIGHT LOUNGE
- 1 OFF BM13006 19" RIGHT HAND RECLINER
- AFT PORT SIDE
- 1 OFF BM3009 7" LEFT ARM REST
- 1 OFF BM1144 36" STRAIGHT LOUNGE
- 1 OFF BM1146 32" AFT CORNER LOUNGE
- ESK/COOLER
- 1 OFF BM11008 PREMIER PONTOON
- 48 QT IGLOO COOLER W/ CUSHION TOP
- DRINK HOLDERS:
- 3 OFF 3059-1884 DOUBLE DRINK HOLDERS

BOAT DETAILS:
 HIN: AURBP94700C919
 REGO. No.: AEW30Q
 OUTER LOG No.: 9440
 CENTRE LOG No.: 9468
 HULL JOB No.: 9470

DATE	DESCRIPTION	AUTH	FILE
			drawings\Highgate\Drawings (Highgate)\Pontoon Boat\007056\

TOLERANCES IF OTHERWISE IS NOT STATED:
 LINEAR DIMENSIONS: ± 1mm
 ANGULAR DIMENSIONS: ± 1°

ALL DIMS IN MM
 DO NOT SCALE

DATE: 03/07/2018

GENERAL ARRANGEMENT
 7.620 METRE (22 FOOT DECK)
 TRI HULL PONTOON BOAT
 REGAN & TONY SIMMONS

PONTOON BOATS

Runaway Bay

DRAWING NO: RBP19-009470-00-10 REV: C A3

COPYRIGHT RESERVED
 The design as detailed on this drawing is the property of HOLMWOOD HIGHGATE (AUST) (ACN 055 046 038) and/or its associates and must be returned on demand. It is issued on the strict condition that except with our written permission it must not be reproduced, copied or communicated to any third party nor be used for any purpose other than that stated in the particular enquiry, order or contract with which it is issued. The reservation of copyright in this document extends from each date appearing thereon and in respect of the subject matter as it appeared at the relevant date.