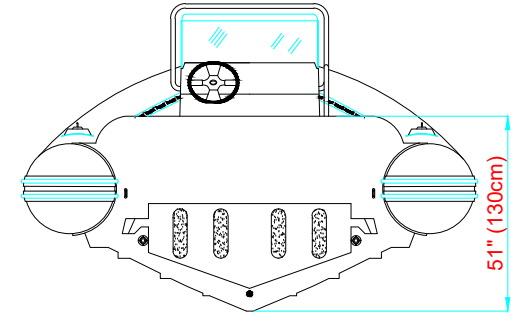
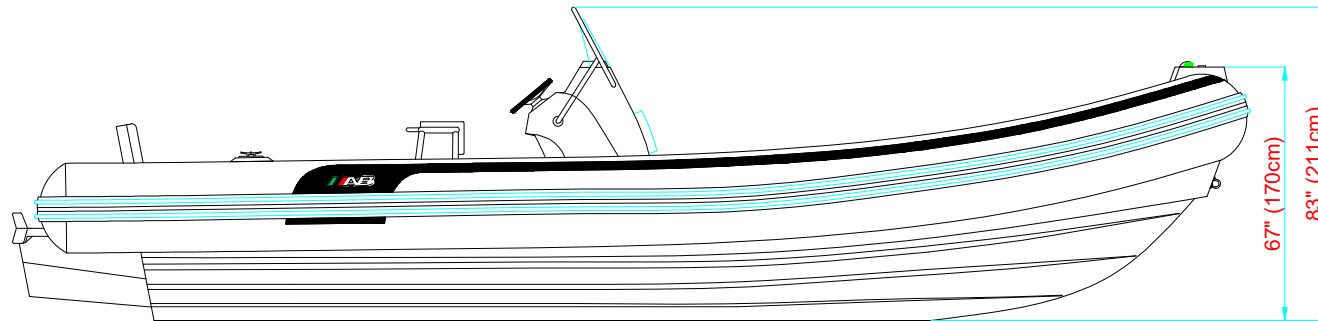


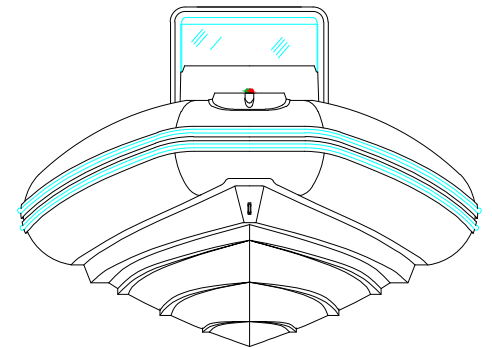
PLANT VIEW  
VISTA SUPERIOR



AFT VIEW  
VISTA TRASERA



LONGITUDINAL PROFILE  
VISTA LATERAL




FORE VIEW  
VISTA FRONTAL

**MAIN PARTICULARS**

MAXIMUM LENGHT/ESLORA MAX. \_\_\_\_\_ 27' 4" (8.33m)  
 MAXIMUM BEAM/MANGA MAX. \_\_\_\_\_ 10' 1" (3.07m)

**NOTES:** 1.-ALL DIMENSIONS IN INCHES & CENTIMETERS  
 TODAS LAS MEDIDAS ESTAN DADAS EN PULGADAS Y CENTIMETROS

		TITLE: "OCEANUS 28 VST " GENERAL ARRANGEMENT ARREGLO GENERAL					
SUBJECTED: JAIRO MARTINEZ		SCALE:	SHEET: 1/1	CODE:	PLAN:		
APPROVED: HERMES GARCIA							DATE APPROVED: